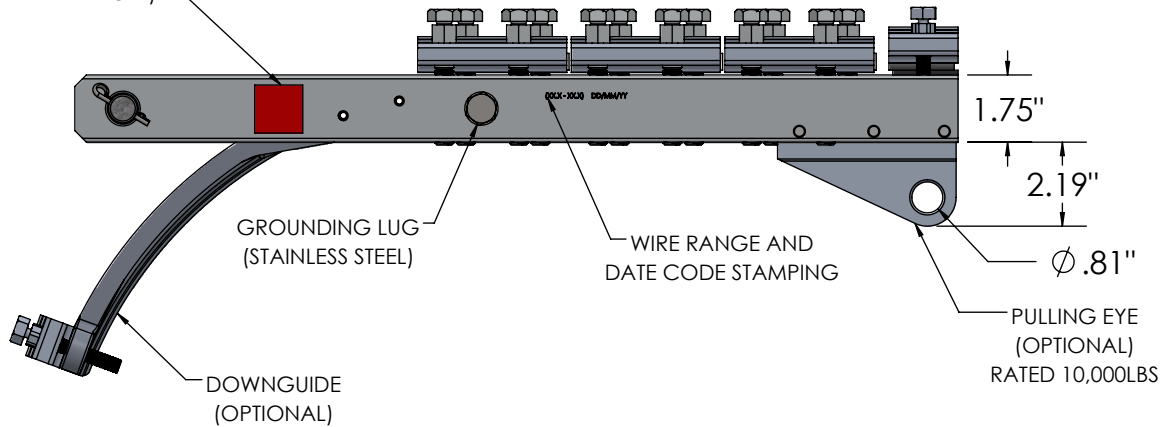


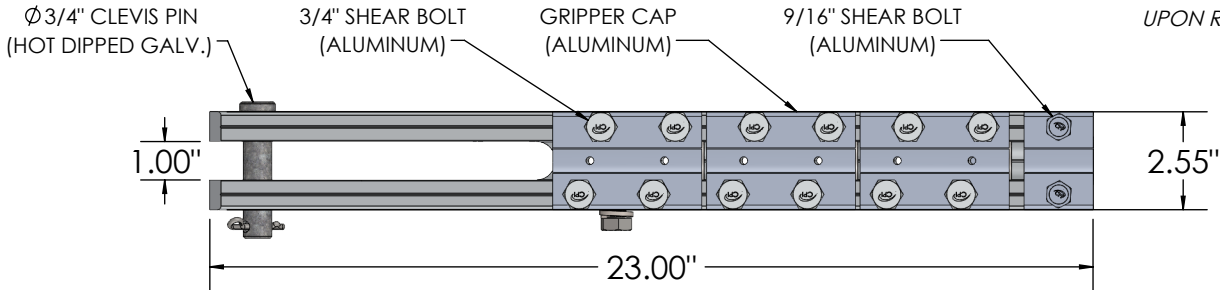
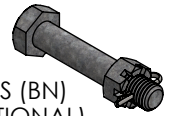
OPGW BOLTED DEAD-END



COLOR/SHAPE
CODED LABEL
(SEE TABLE BELOW)



BOLTED NUT CLEVIS (BN)
HOT DIP GALV. (OPTIONAL)
STAINLESS STEEL AVAILABLE
UPON REQUEST



STANDARD						
OBDE	14.3-14.8		ULTIMATE BODY STRENGTH = 40,000LBS			
Optical Bolted Dead-End	Cable dia. in millimeters see chart below		ULTIMATE PULLING STRENGTH = 15,000LBS			
OPTIONS						
DG	BN		PE			
Add "DG" suffix to Part # in order to select the Downguide option	Add "BN" suffix to Part # in order to select the bolt nut clevis option		Add "PE" suffix to Part # in order to select the Pulling Eye option			
CATALOG #	Dia. Range (mm)		Dia. Range (in)		Label (per wire size)	
	Min	Max	Min	Max	color	shape
OBDE8.98-9.75	8.98	9.75	0.354	0.384	white	circle
OBDE9.75-10.7	9.75	10.7	0.384	0.422	teal	S
OBDE10.7-11.5	10.7	11.5	0.422	0.453	light green	heart
OBDE11.5-12.7	11.5	12.7	0.453	0.500	dark green	triangle
OBDE12.7-13.7	12.7	13.7	0.500	0.540	yellow	X
OBDE13.7-14.3	13.7	14.3	0.540	0.563	black	#
OBDE14.3-14.8	14.3	14.8	0.563	0.583	red	square
OBDE14.8-15.5	14.8	15.5	0.583	0.611	dark blue	D
OBDE15.5-16.2	15.5	16.2	0.611	0.638	orange	A
OBDE16.2-17.0	16.2	17.0	0.638	0.670	brown	M
OBDE17.0-17.9	17.0	17.9	0.670	0.705	pink	star
OBDE17.9-19.0	17.9	19.0	0.705	0.750	grey	P